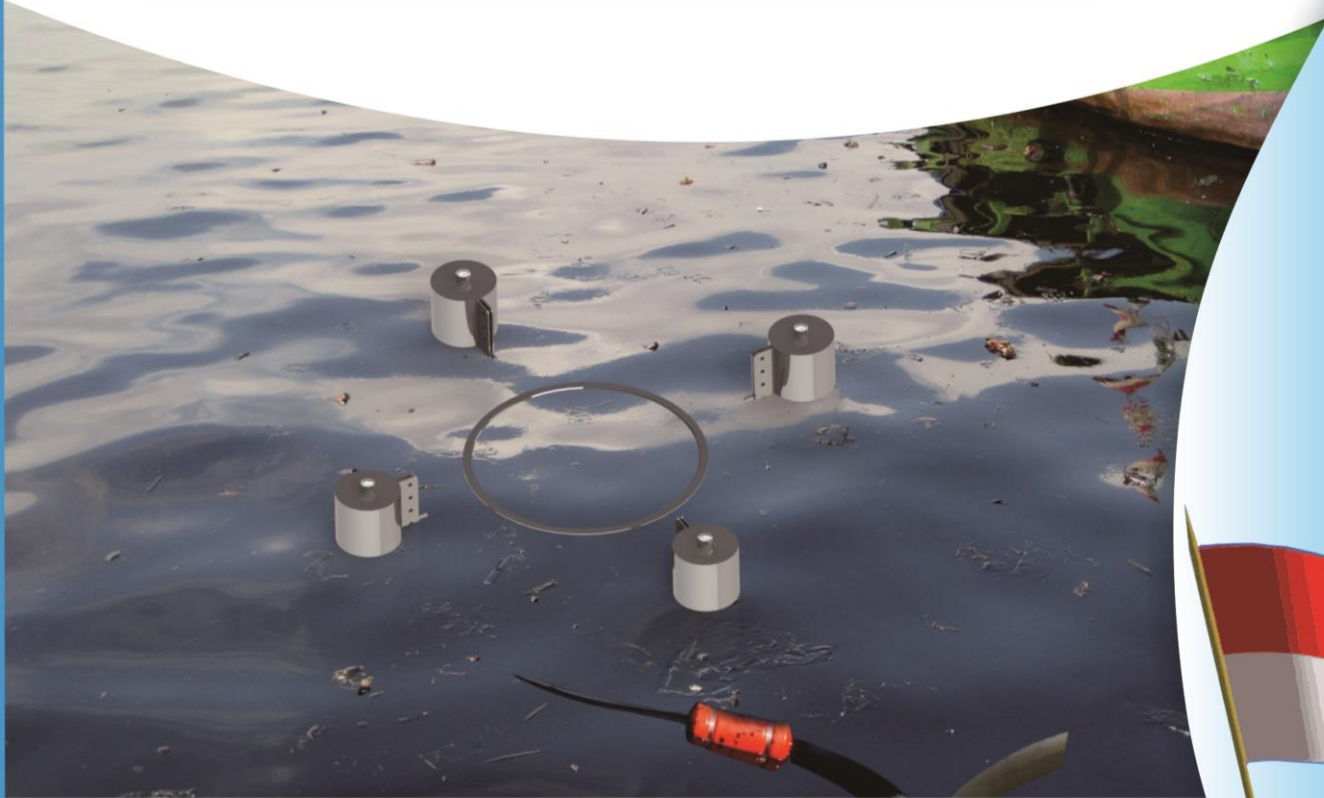


SLICKBAR™

SLICKWEIR SKIMMER



SLICKWEIR SKIMMER is designed with integrated adjustable floats can make the skimmer very stable in all water conditions and can be adjusting depends on oil spill thickness . This system suitable for recovering floating oil from 10 m³/h to 30 m³/h. The Slickweir Skimmer has two types and are suitable for recovering oil in onshore or offshore application. The Slickweir Skimmer System is easy to deploy and requires only three operators also suitable for deployment in all types' oil slicks. In thin oil layers, just run the pump slowly and adjust float, the Slickweir Skimmer will adjust it upwards and restrict the flow into the skimmer.



SLICKBAR™ INDONESIA

The World Leader in Oil Spill Control Technology ... since 1960

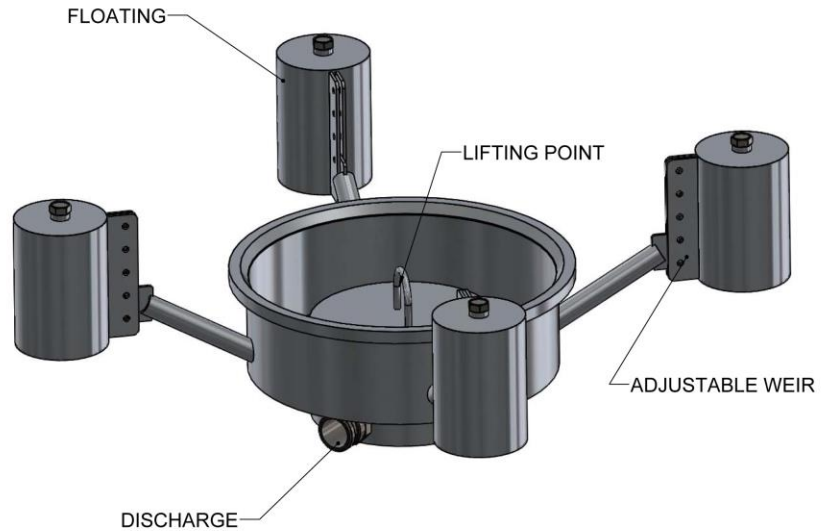
PRODUCTION

SLICKWEIR SKIMMER is constructed by our expert teams of Oil Spill Response Equipment manufacturer. All SLICKBAR products are produced and manufactured in accordance with International Quality Assurance Systems ISO 9001:2008, ISO 14001:2004 and OHSAS 18001:2007.

SYSTEM

- ✓ **SLICKWEIR SKIMMER** is designed with adjusting weir system.
- ✓ **SLICKWEIR SKIMMER** has a simple operation, maintenance and high performance.

LAYOUT OF SLICKWEIR SKIMMER



TECHNICAL DATA		
SKIMMER TYPE	SLICKWEIR SKIMMER BS 10	SLICKWEIR SKIMMER BS 30
SKIMMER HEAD		
SKIMMER DESIGN	Adjusting Weir Floats	
CONSTRUCTION MATERIAL	Aluminum	
FLOATING MATERIAL	Aluminum	
CAPACITY	10 m ³ / h	30 m ³ / h
OPERATING DRAFT	Max. 0.2 Meter	Max. 0.5 Meter
RECOMMENDED APPLICATIONS	Near shore	Offshore
TRANSFER PUMP		
TYPE	Self priming positive displacement pump, impeller type	Self priming induced flow pump, diaphragm pump
DRIVE	Driven by pulley system	Direct by engine
SUCTION LIFT	Up to 3 Meters	Up to 9 Meters
POWERPACK		
POWER REQUIREMENT	Diesel engine single cylinder, air cooled. Min. 3.5 kW (4.7 HP)	Diesel engine single cylinder, air cooled. Min. 7.3 kW (10 HP)
STARTING SYSTEM	Hand starter	Electric and hand starter
FRAME MATERIAL	Mild Steel	
PAINT FINISH	Shot blasted steel work with 2 coats epoxy primer and 2 coats top coat marine color	
NET. WEIGHT	Approx. 70 kgs	Approx. 100 kgs
SAFETY DEVICES		
Automatic Shutdown Valve and Spark Arrestor		
HOSE SETS		
DIAMETER OUTLET	2 Inches	3 Inches
SUCTION HOSE	33 Feet (10 Meters) Length ~ Suction Hose With Camlock	66 Feet (20 Meters) Length ~ Suction Hose With Camlock
DISCHARGE HOSE	33 Feet (10 Meters) Length ~ Discharge Hose With Camlock	66 Feet (20 Meters) Length ~ Discharge Hose With Camlock

SPECIFICATIONS SUBJECT TO CHANGE WITHOUT NOTICE

SLICKBAR™ INDONESIA
The World Leaders in Oil Spill Control Technology ... since 1960

CERTIFICATES AND PATENTS

Manufacturer in Indonesia is certified with ISO 9001:2008 (Certificate No. : JKT 403890), ISO 14001:2004 (Certificate No. :JKT 6005722/A) and OHSAS 18001:2007 (Certificate No. :JKT 6005722/B); SLICKBAR oil booms and accessories are protected under one or more of the following patent numbers : Indonesia 231551, ID 0 005 932, ID 0 005 933; U.S.A. 3,146,698, 3,321,92 RE 27,452 (Reissue of 3,499,290), 3,556,301, 3,564,852, 3,679, 058, 848, 417; United Kingdom 993, 227, 1,226, 040; Canada 862,401, 909, 353; France 1,403,411,69,21131/Italy 732,313,866, 809 ; Japan 588, 400; Belgium 735, 074 ; Germany S.N.P. 1929751; Holland S.N. 69, 08133; Australia 435, 835, Other U.S. and foreign patents pending.



OIL POLLUTION EQUIPMENT DIVISION

DELTA SILICON II INDUSTRIAL PARK BLOCK F2/1
Lippo Cikarang, Bekasi 17550, West Java, Indonesia
Phone : +62 21 89117311, 89117312, 89117313 Fax : +62 21 89117314
Web Site : www.slickbar.co.id ; E-mail : info@slickbar.co.id